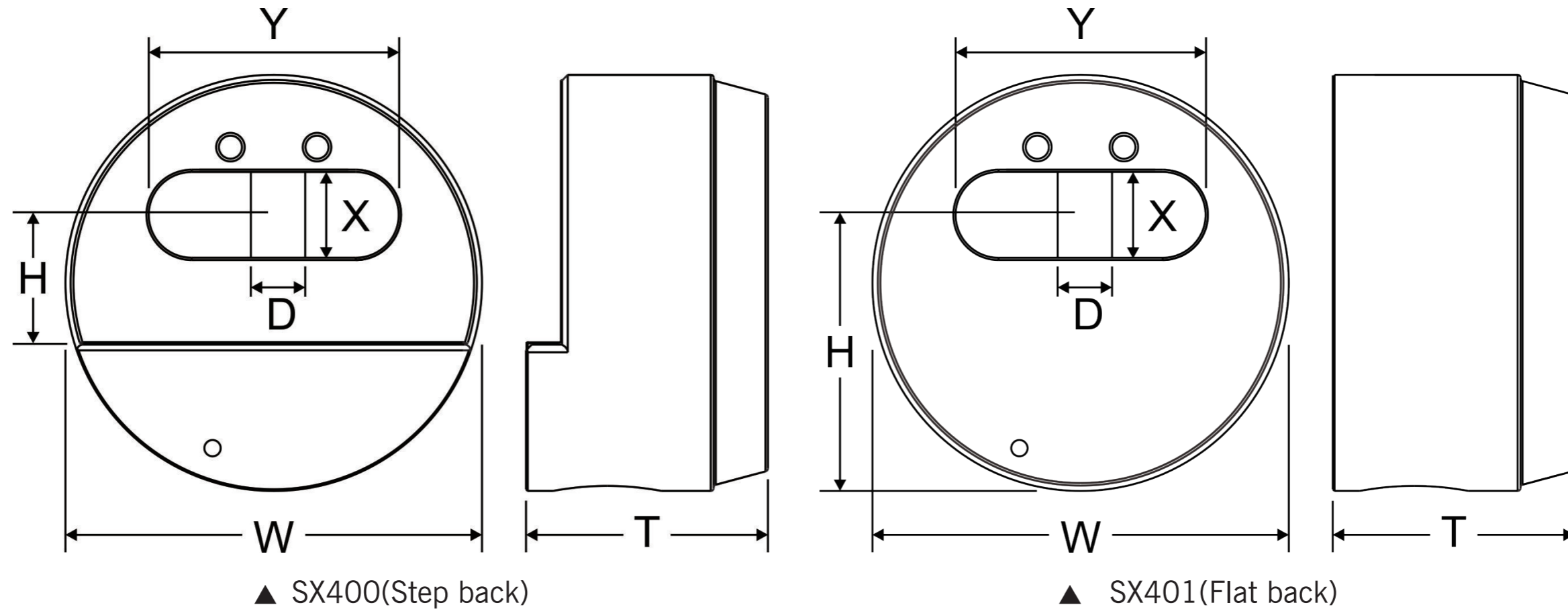


# SIZE CHART

## SX400-SFIC



| Item #     | DIMENSION(MM) |      |    |         |    |      |         |
|------------|---------------|------|----|---------|----|------|---------|
|            | Lock Body     |      |    | Shackle |    |      | Keyway  |
|            | W             | H    | T  | D       | X  | Y    |         |
| SX400-SFIC | 73            | 22.7 | 44 | 9.5     | 15 | 43.7 | No core |
| SX401-SFIC | 73            | 48.3 | 44 | 9.5     | 15 | 43.7 | No key  |

\* We also provide the full set of padlock.

The Item # will be different according to the core it applied (6 pin or 7 pin) Such as: SX400-SFIC-6 or SX400-SFIC-7